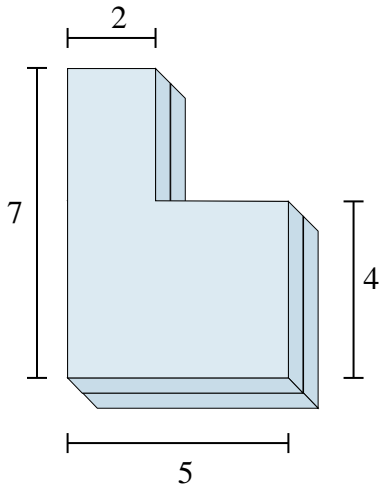




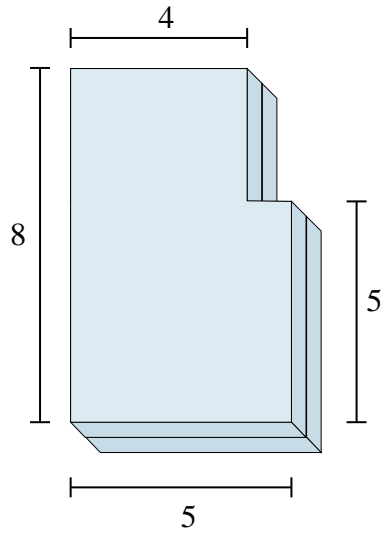
Find the total volume of each figure shown. Measured in cm (not to scale).

Answers

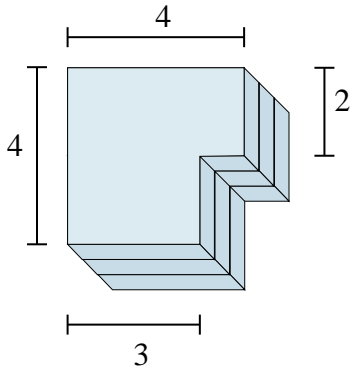
1)



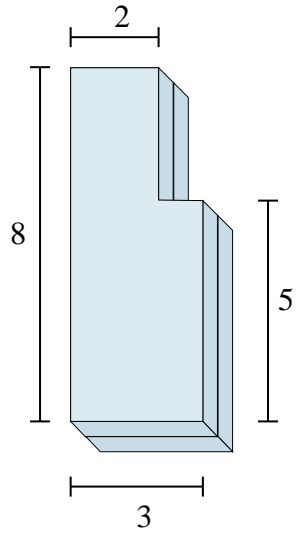
2)



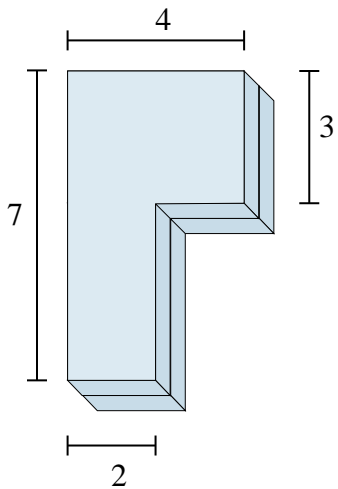
3)



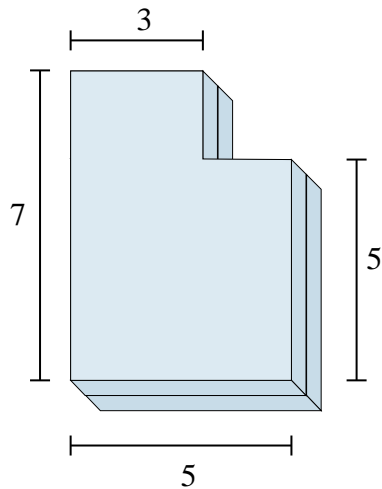
4)



5)



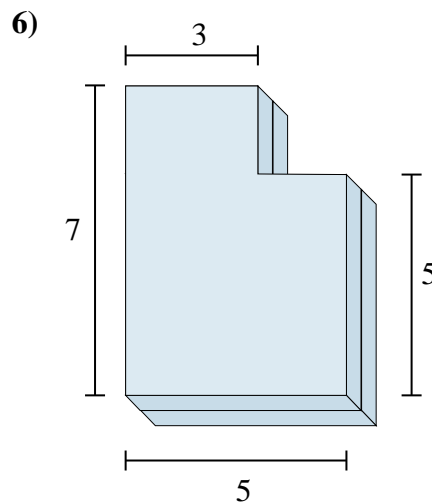
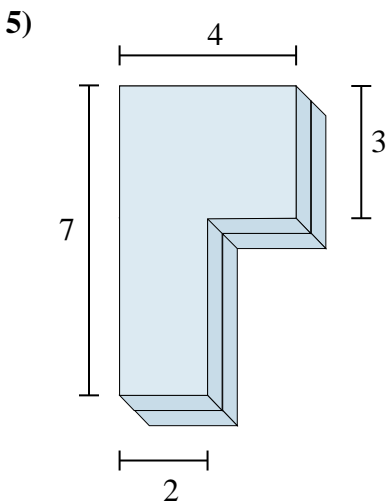
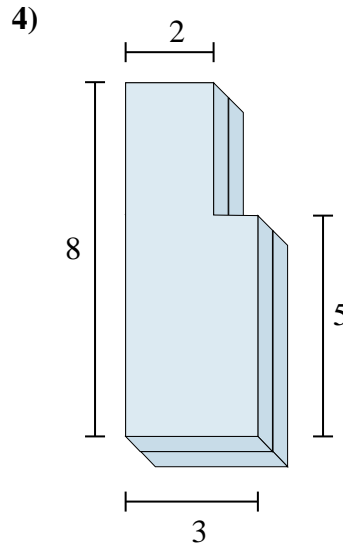
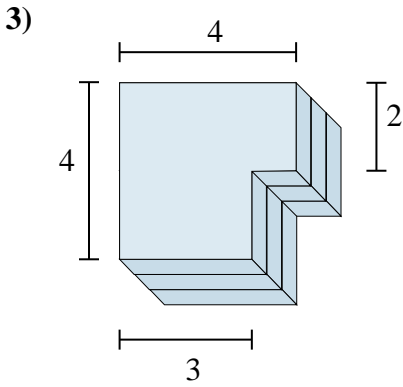
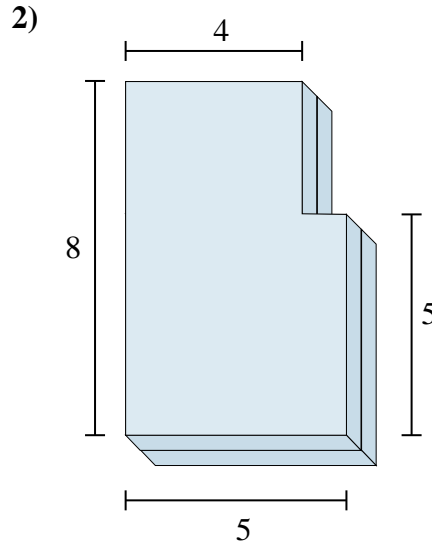
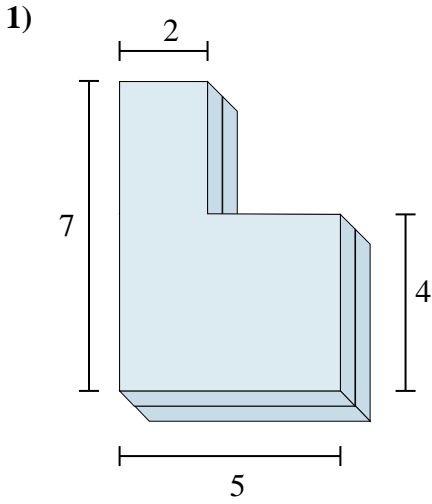
6)



1. _____
2. _____
3. _____
4. _____
5. _____
6. _____



Find the total volume of each figure shown. Measured in cm (not to scale).



Answers

1. 52 cm³

2. 74 cm³

3. 42 cm³

4. 42 cm³

5. 40 cm³

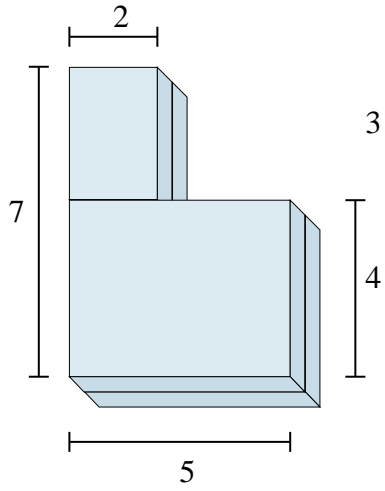
6. 62 cm³



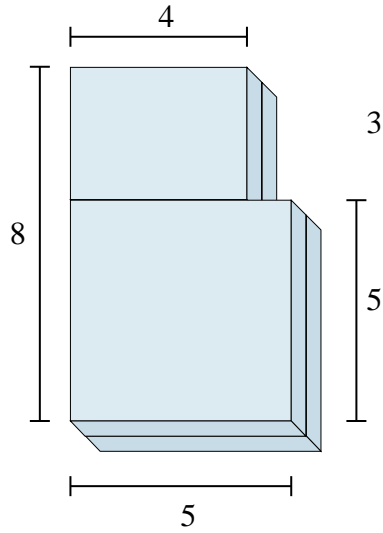
Find the total volume of each figure shown. Measured in cm (not to scale).

Answers

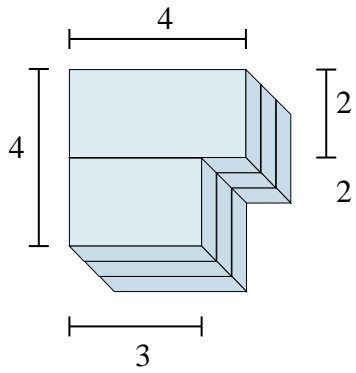
1)



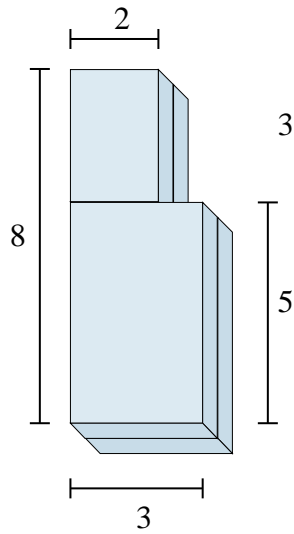
2)



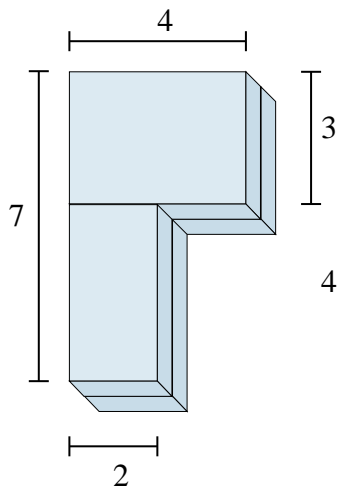
3)



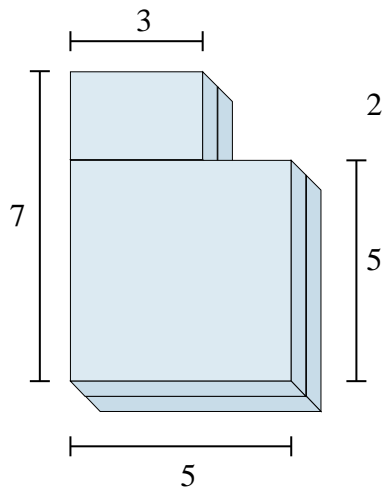
4)



5)



6)



- 1. _____
- 2. _____
- 3. _____
- 4. _____
- 5. _____
- 6. _____